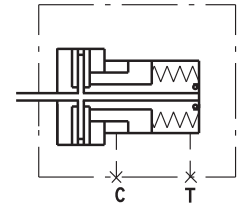


HYDRAULIC DISC BRAKES B130K...- Wet

This brake is designed to be mounted to the wheels of low-speed agricultural and construction vehicles.

The advantage of these brakes is that despite the smallest possible dimensions they preserve long-term life of the bearings at high radial shaft load.

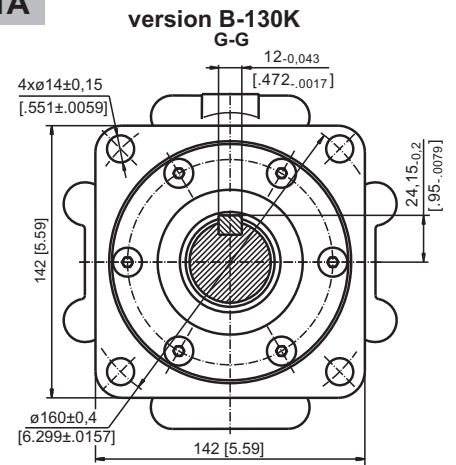
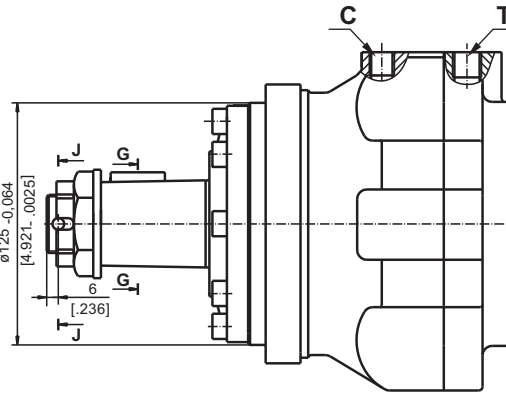
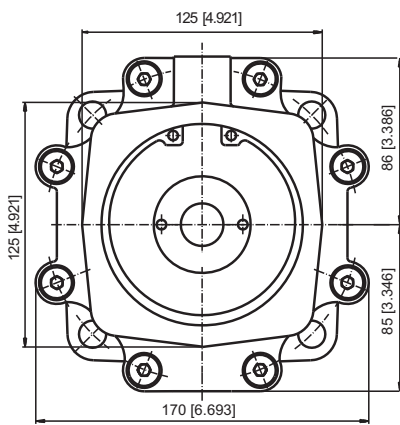


SPECIFICATION DATA

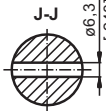
Type	B130K
Static Torque of Brake, daNm [lb-in]*	143 [12565]
Min. Brake Release Pressure, bar [PSI]	31-33 [119-478]
Max. Opening Pressure, bar [PSI]	280 [4060]
Max. Permissible Pressure in Drain Line, bar [PSI]	5 [72]
Weight, kg [lb]	18,5 [40.8]

* At 0 bar [0 PSI] back pressure

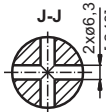
DIMENSIONS AND MOUNTING DATA



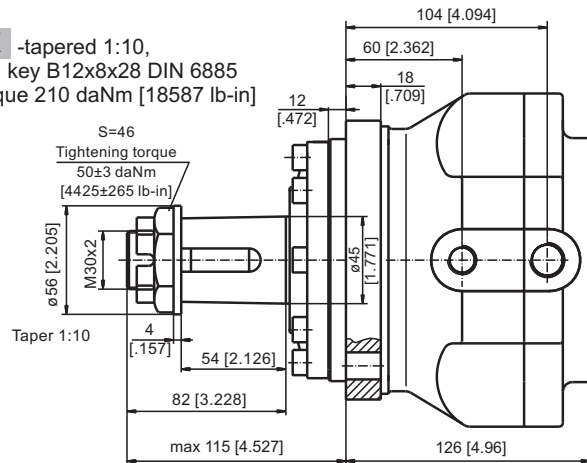
version B-130K



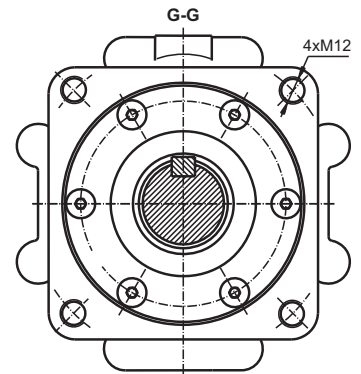
version B-130K-P



K -tapered 1:10,
Parallel key B12x8x28 DIN 6885
Max. Torque 210 daNm [18587 lb-in]

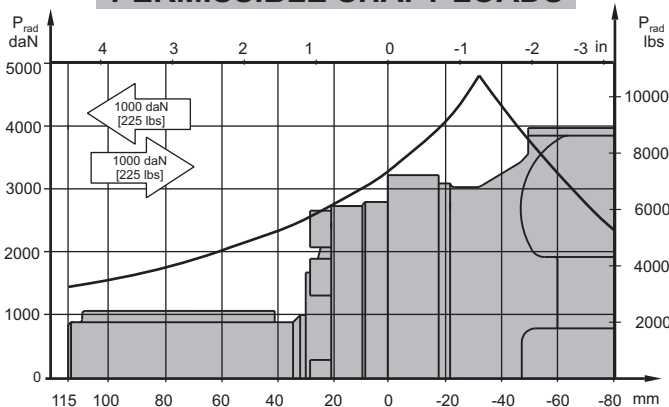


version B-130K-P



- C - Brake release port, G1/4,
12 mm [0.472 in] depth
- D - Drainage tap, G3/8,
13 mm [0.512 in] depth

PERMISSIBLE SHAFT LOADS



The curve applies to a B10 bearing life of 3000 hours at 200 RPM.