

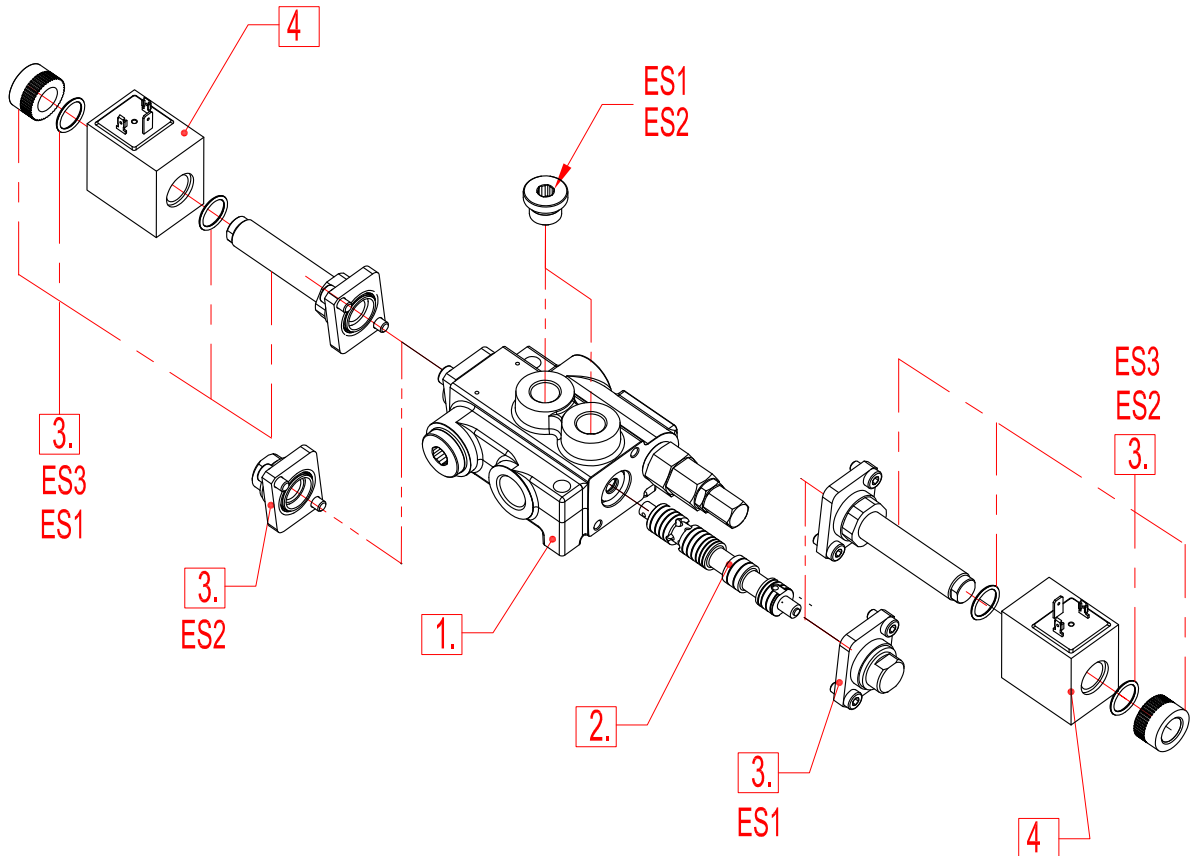
directional control valve Z50

ES ... SOLENOID DIRECT CONTROL

Solenoid direct control with spring return to neutral position.
 Needs special spools and special body Z50.

ORDERING EXAMPLE

Z50 A ES3 12VDC G
 1 2 3 4 5



1. Body kit

Type	Description
Z50	1 spool
02Z50	2 spool
03Z50	3 spool
04Z50	4 spool
05Z50	5 spool
06Z50	6 spool

2. Spool options

Type	Description
A	Double acting, 3 positions with A and B closed in neutral position
D	Double acting, 3 positions with A and B open to Tank in neutral position

3. Control kit

Type	Description
ES1	Single acting P – A with spring return in neutral position
ES2	Single acting P – B with spring return in neutral position
ES3	Double acting P – A (B) with spring return in neutral position

4. Coils

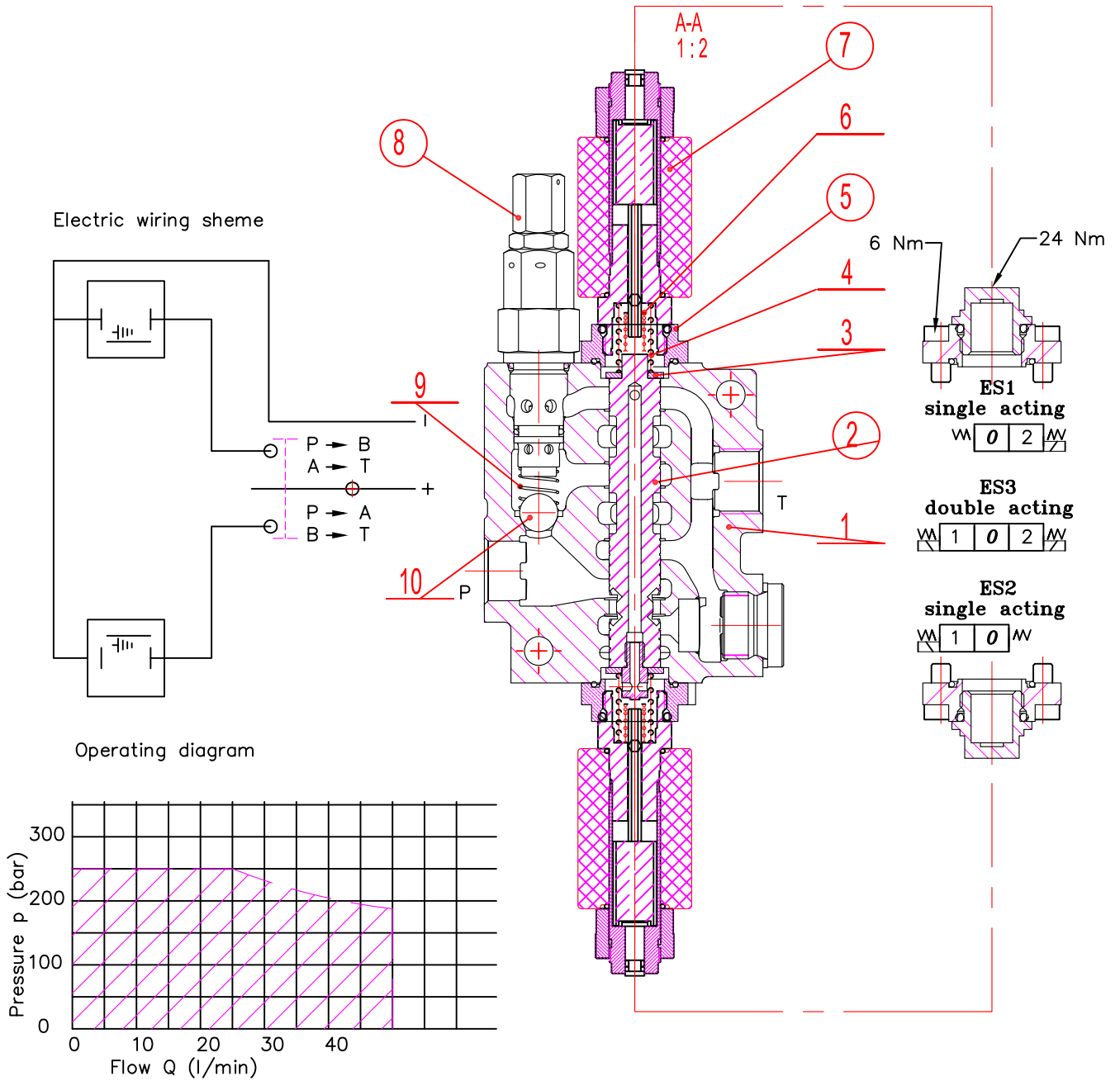
Type	Description
(with connector ISO 4400)	
12VDC	Nominal voltage 12VDC
24VDC	Nominal voltage 24VDC

5. Threads

G	P, T – G1/2; A, B – G3/8
---	--------------------------

directional control valve Z50

ES ... SOLENOID DIRECT CONTROL



Operating features

Техническике прилечания

Control

Internal leakage A(B) → T
(p=100 bar Viscosity 35 cSt : max 18 ccm/min)

Coil

Nominal voltage tolerance ±10%
Power rating 37 W
Coil insulation class H
Duty cicle 100%
Connector ISO 4400
Emergency manual override